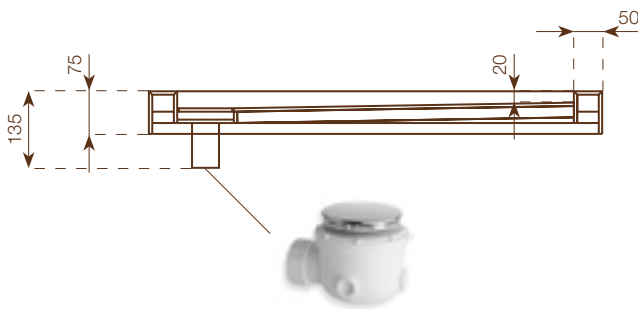
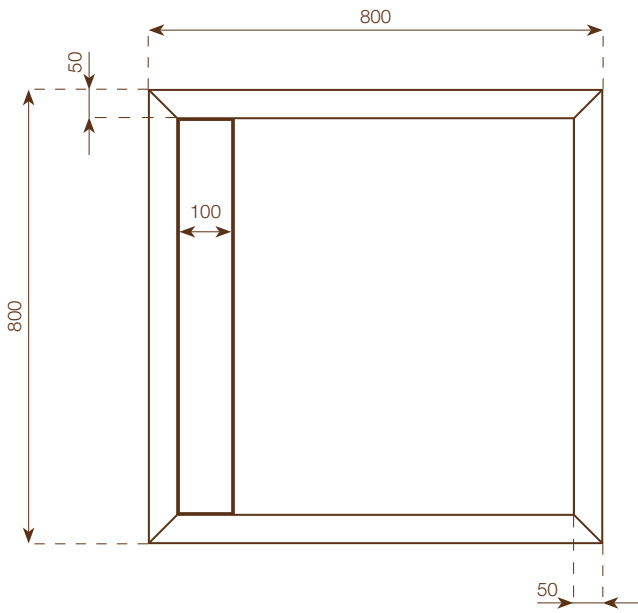


AQUA MAXIMUM / SHOWER TRAY

GF 80x80



SHOWER TRAY

height: 7,5 cm
 dimensions: 80x80 cm
 weight: 30 Kg

FAO PACKING CASE

height: 30 cm
 dimensions: 90x90 cm
 weight: 35 Kg

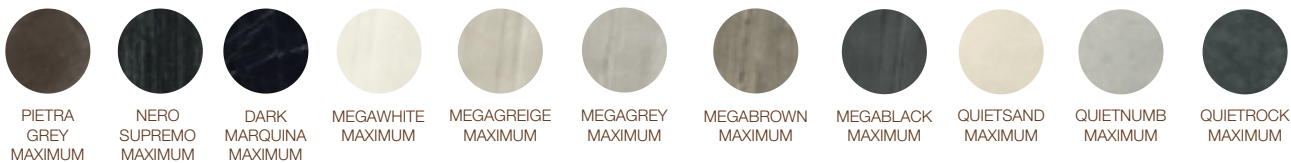
Notes

Each shower tray is made with a Wedi core coated with MAXIMUM 6 mm porcelain stoneware on all visible surfaces. The outer height of the shower tray is 7.5 cm. The drain unit can be positioned on either side of the removable grid (please confirm preferred position upon order placement). Included in the delivery of each element are: Silfra DN 40 model drain, packaging in suitable FAO packing case included.

Marmi Maximum



Megalith Maximum

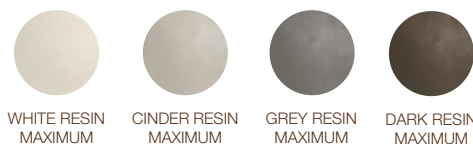


QuietStones Maximum

Aster Maximum



HQ.Resin Maximum



Data.Uni Maximum

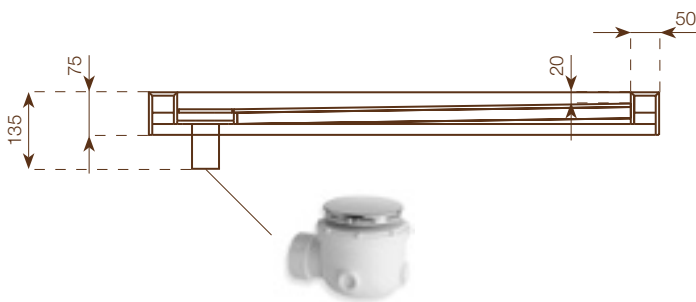
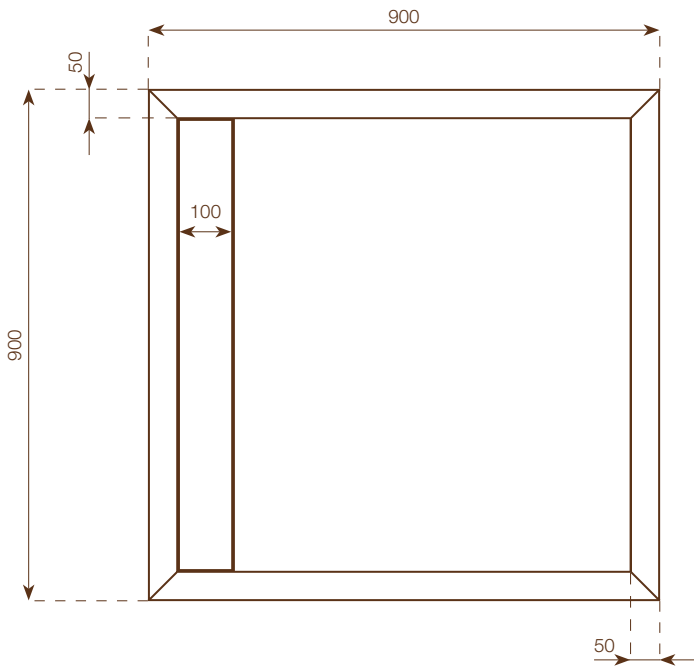


Eminent Wood Maximum



AQUA MAXIMUM / SHOWER TRAY

GF 90x90



SHOWER TRAY

height: 7,5 cm
 dimensions: 90x90 cm
 weight: 40 Kg

FAO PACKING CASE

height: 30 cm
 dimensions: 100x100 cm
 weight: 40 Kg

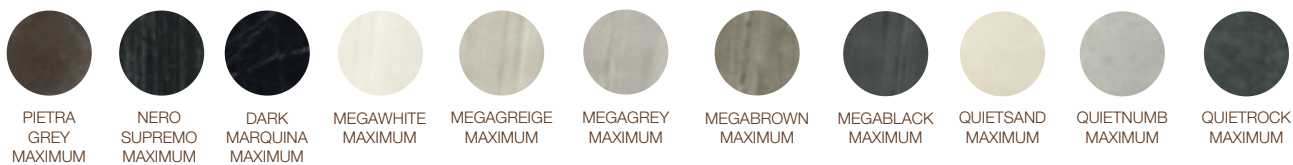
Notes

Each shower tray is made with a Wedi core coated with MAXIMUM 6 mm porcelain stoneware on all visible surfaces. The outer height of the shower tray is 7.5 cm. The drain unit can be positioned on either side of the removable grid (please confirm preferred position upon order placement). Included in the delivery of each element are: Silfra DN 40 model drain, packaging in suitable FAO packing case included.

Marmi Maximum



Megalith Maximum

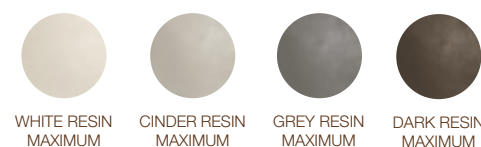


QuietStones Maximum

Aster Maximum



HQ.Resin Maximum



Data.Uni Maximum

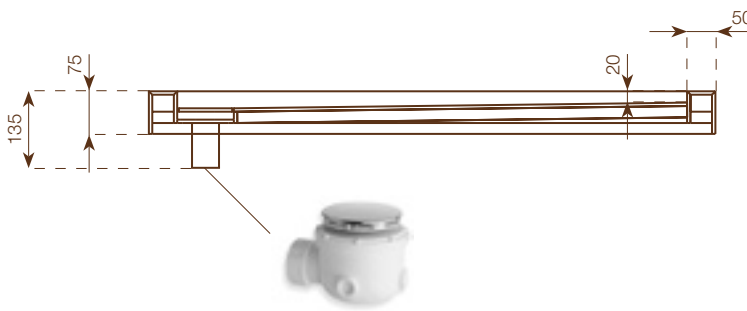
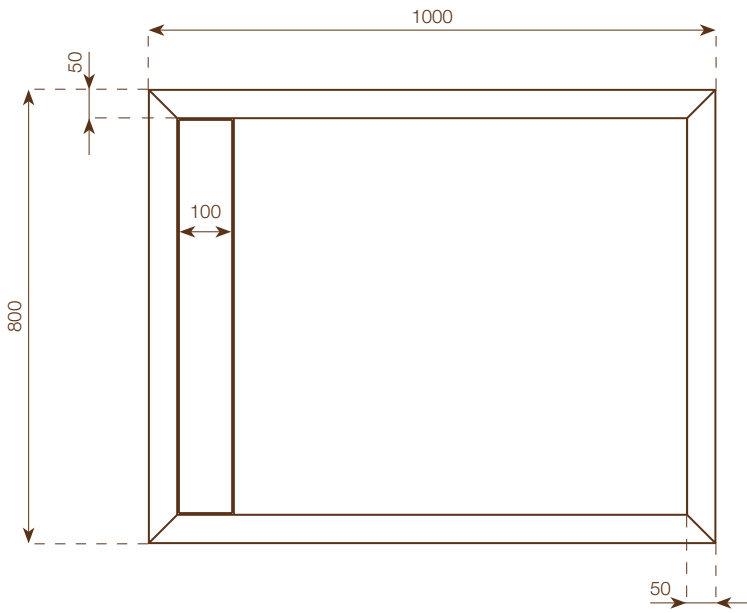


Eminent Wood Maximum



AQUA MAXIMUM / SHOWER TRAY

GF 100x80



SHOWER TRAY

height: 7,5 cm
 dimensions: 100x80 cm
 weight: 45 Kg

FAO PACKING CASE

height: 30 cm
 dimensions: 110x90 cm
 weight: 40 Kg

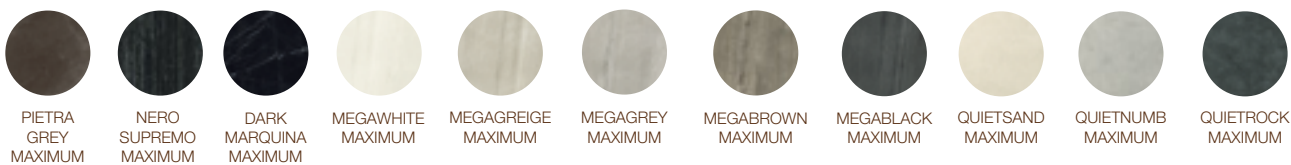
Notes

Each shower tray is made with a Wedi core coated with MAXIMUM 6 mm porcelain stoneware on all visible surfaces. The outer height of the shower tray is 7.5 cm. The drain unit can be positioned on either side of the removable grid (please confirm preferred position upon order placement). Included in the delivery of each element are: Silfra DN 40 model drain, packaging in suitable FAO packing case included.

Marmi Maximum



Megalith Maximum

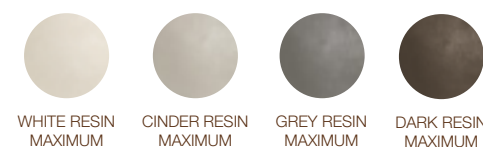


QuietStones Maximum

Aster Maximum



HQ.Resin Maximum



Data.Uni Maximum

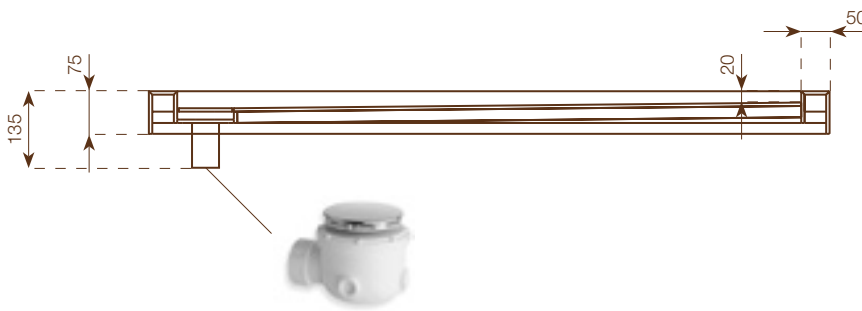
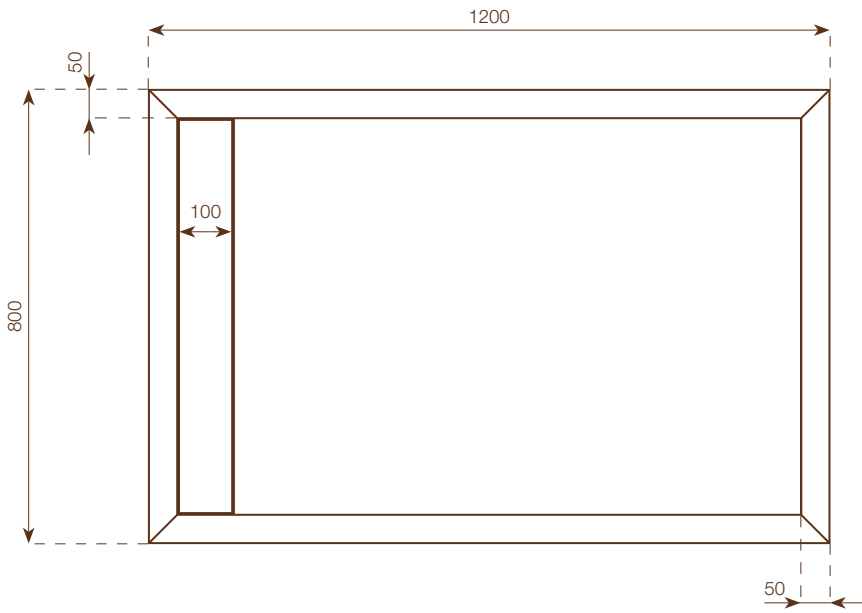


Eminent Wood Maximum



AQUA MAXIMUM / SHOWER TRAY

GF 120x80



SHOWER TRAY

height: 7,5 cm
 dimensions: 120x80 cm
 weight: 50 Kg

FAO PACKING CASE

height: 30 cm
 dimensions: 130x90 cm
 weight: 45 Kg

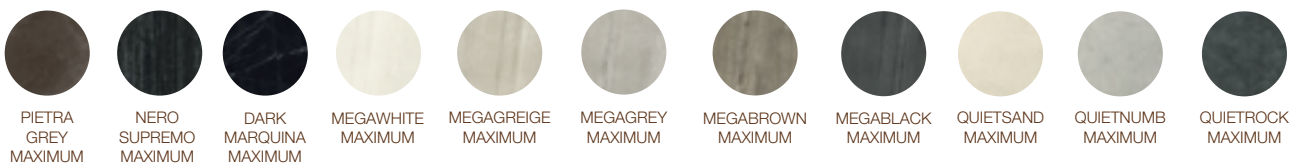
Notes

Each shower tray is made with a Wedi core coated with MAXIMUM 6 mm porcelain stoneware on all visible surfaces. The outer height of the shower tray is 7.5 cm. The drain unit can be positioned on either side of the removable grid (please confirm preferred position upon order placement). Included in the delivery of each element are: Silfra DN 40 model drain, packaging in suitable FAO packing case included.

Marmi Maximum



Megalith Maximum

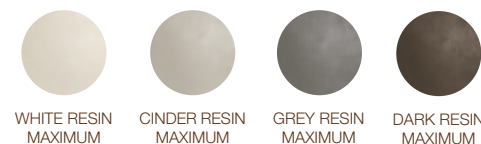


QuietStones Maximum

Aster Maximum



HQ.Resin Maximum



Data.Uni Maximum

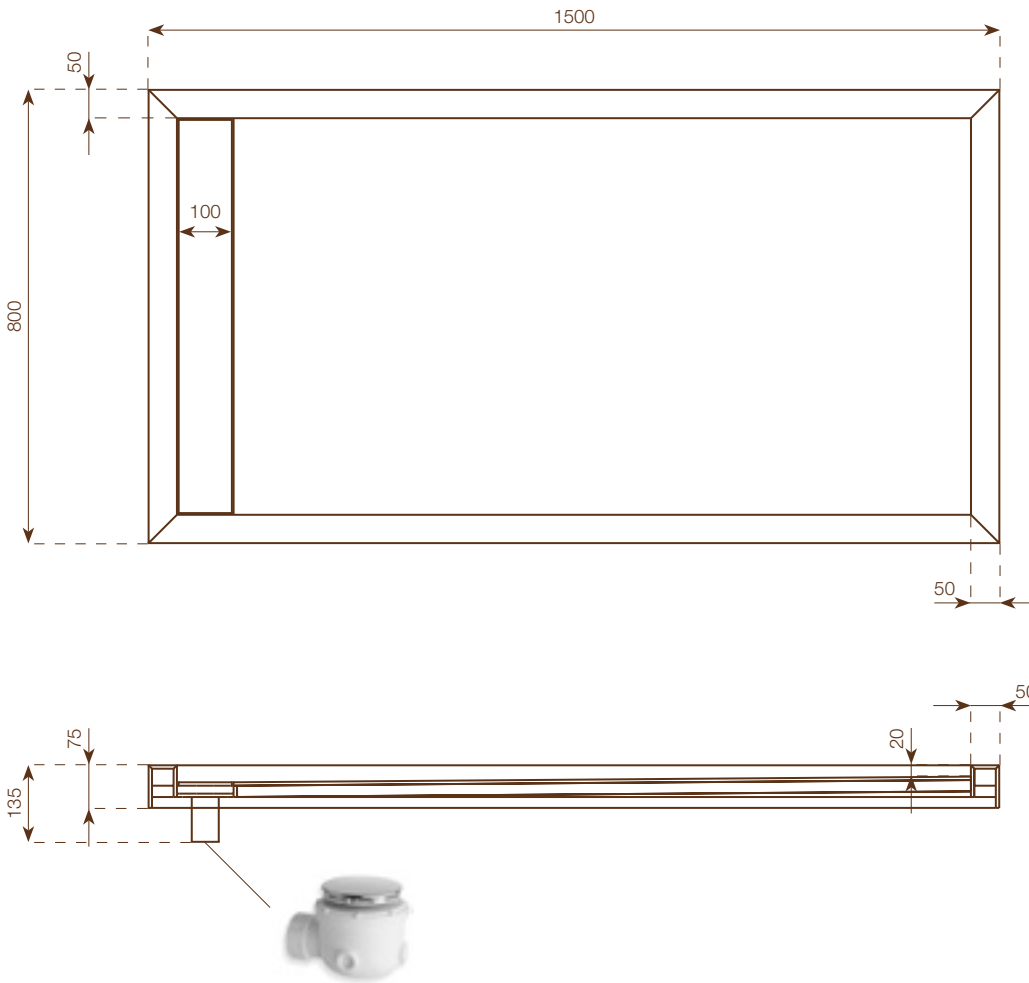


Eminent Wood Maximum



AQUA MAXIMUM / SHOWER TRAY

GF 150x80



SHOWER TRAY

height: 7,5 cm
 dimensions: 150x80 cm
 weight: 65 Kg

FAO PACKING CASE

height: 30 cm
 dimensions: 160x90 cm
 weight: 50 Kg

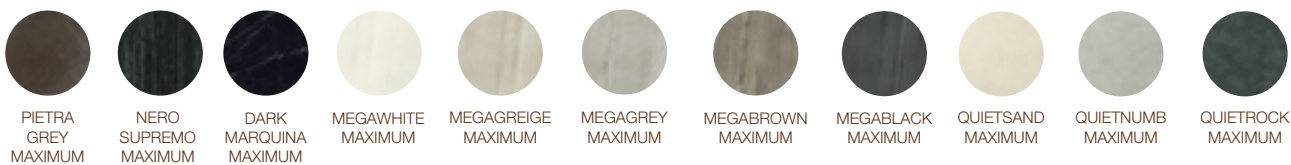
Notes

Each shower tray is made with a Wedi core coated with MAXIMUM 6 mm porcelain stoneware on all visible surfaces. The outer height of the shower tray is 7.5 cm. The drain unit can be positioned on either side of the removable grid (please confirm preferred position upon order placement). Included in the delivery of each element are: Silfra DN 40 model drain, packaging in suitable FAO packing case included.

Marmi Maximum



Megalith Maximum

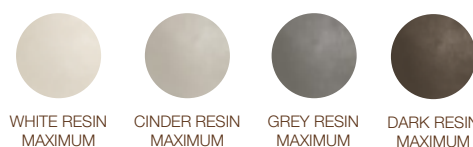


QuietStones Maximum

Aster Maximum



HQ.Resin Maximum



Data.Uni Maximum



Eminent Wood Maximum

